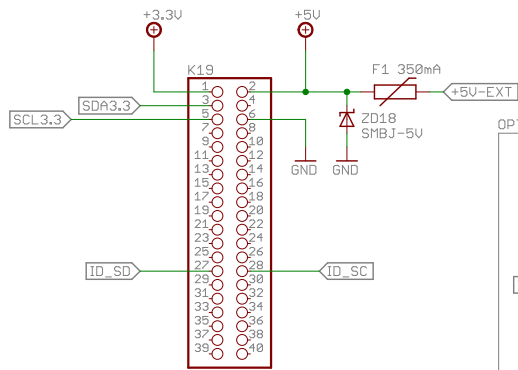
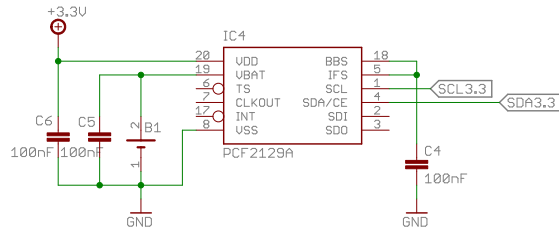
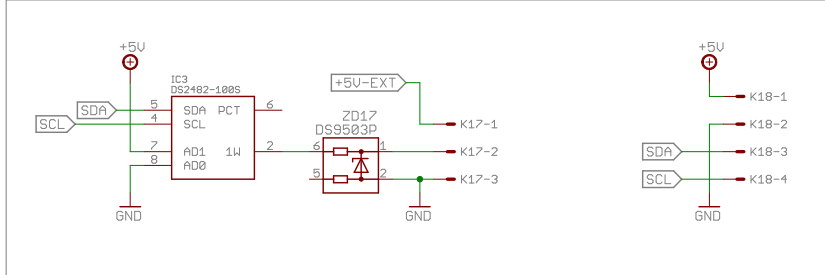
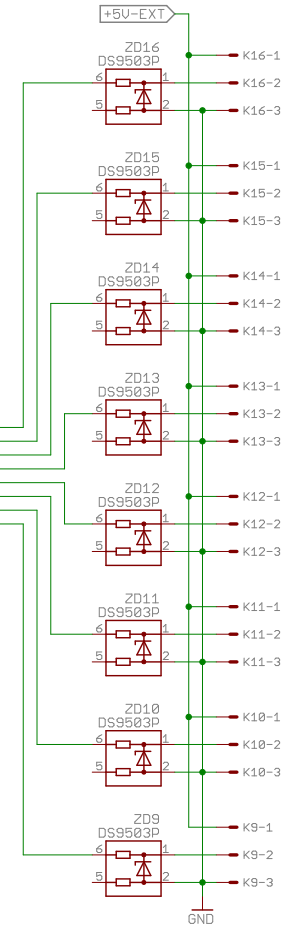
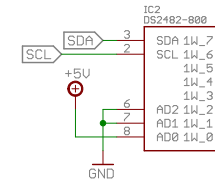
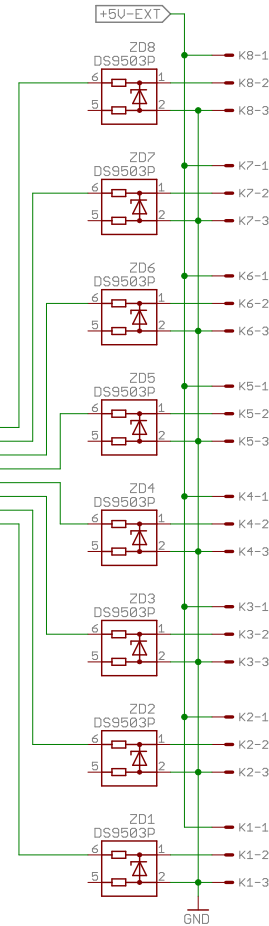
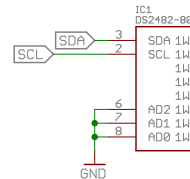
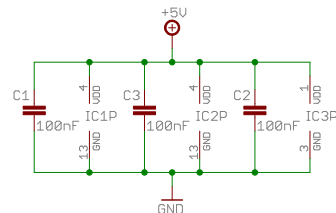
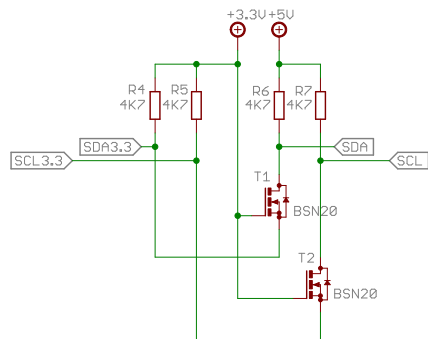
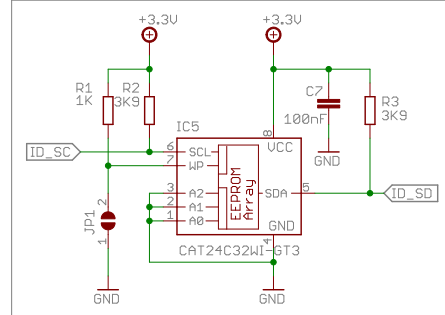


OPTIONAL



OPTIONAL PI HAT ONLY



TITLE: rpi_1wire_hat

Document Number:

REV:

Date: 11/03/2015 14:29:41

Sheet: 1/1